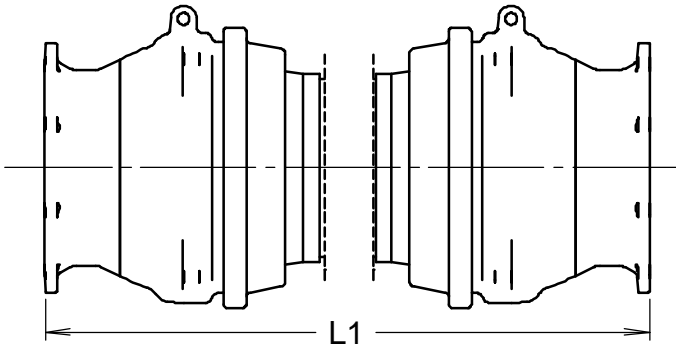
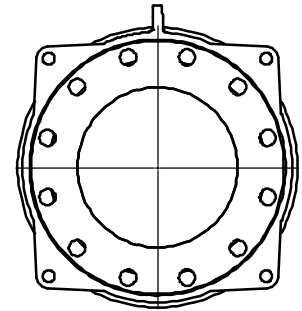
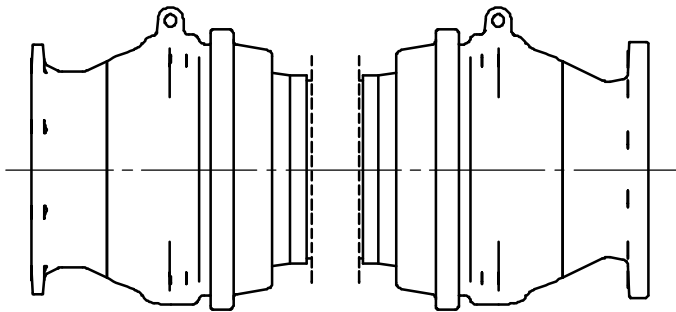
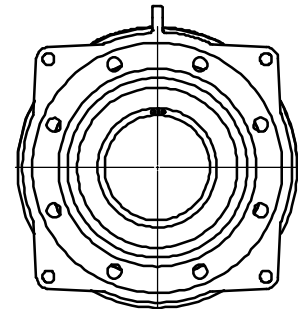


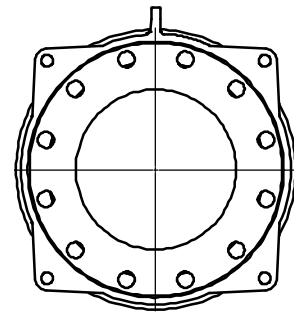
FLANGE X FLANGE



MJ X MJ



MJ X FLANGE



NOTE:
 1. COMPLETE DIMENSION INFORMATION ON ROMAC DWG. B2121-C.

NOM. SIZE	OFFSET	L1		
		FLANGE X FLANGE	MJ X FLANGE	MJ X MJ
10"	4	33.6	32.9	32.2
	8	46.6	45.9	45.2
	12	60.6	59.9	59.2
	16	74.6	73.9	73.2
	20	88.6	87.9	87.2

UNLESS OTHERWISE SPECIFIED		SIGNATURES	DATE		ROMAC IND. INC., SEATTLE, WA	
DIMENSIONS ARE IN INCHES		DRWN	'02 DEC 31		TITLE	
TOLERANCES ARE ON:yes		CHECKED			FLEXIJOB, DOUBLE BALL, 10 MODELS	
2 PL DECIMALS +/-		ENGRG				
3 PL DECIMALS +/-		ISSUED		SIZE	DWG. NO.	REV. NO.
ANGLES +/-				A	B2133-A	-
FRACTIONS +/-				SCALE		
				1 = 12		SHEET 1 OF 1

B2133-A

DOUBLE CLICK PIN FOR DXF



THIS DRAWING CONTAINS CONFIDENTIAL PROPRIETARY INFORMATION AND IS THE PROPERTY OF ROMAC IND. INC. IT IS TO BE USED ONLY FOR THE PURPOSE FOR WHICH IT IS SUBMITTED AND SHALL NOT HAVE ITS INFORMATION DISCLOSED OR REPRODUCED IN WHOLE OR IN PART FOR ANY PURPOSE WITHOUT PRIOR WRITTEN PERMISSION OF ROMAC IND. INC.